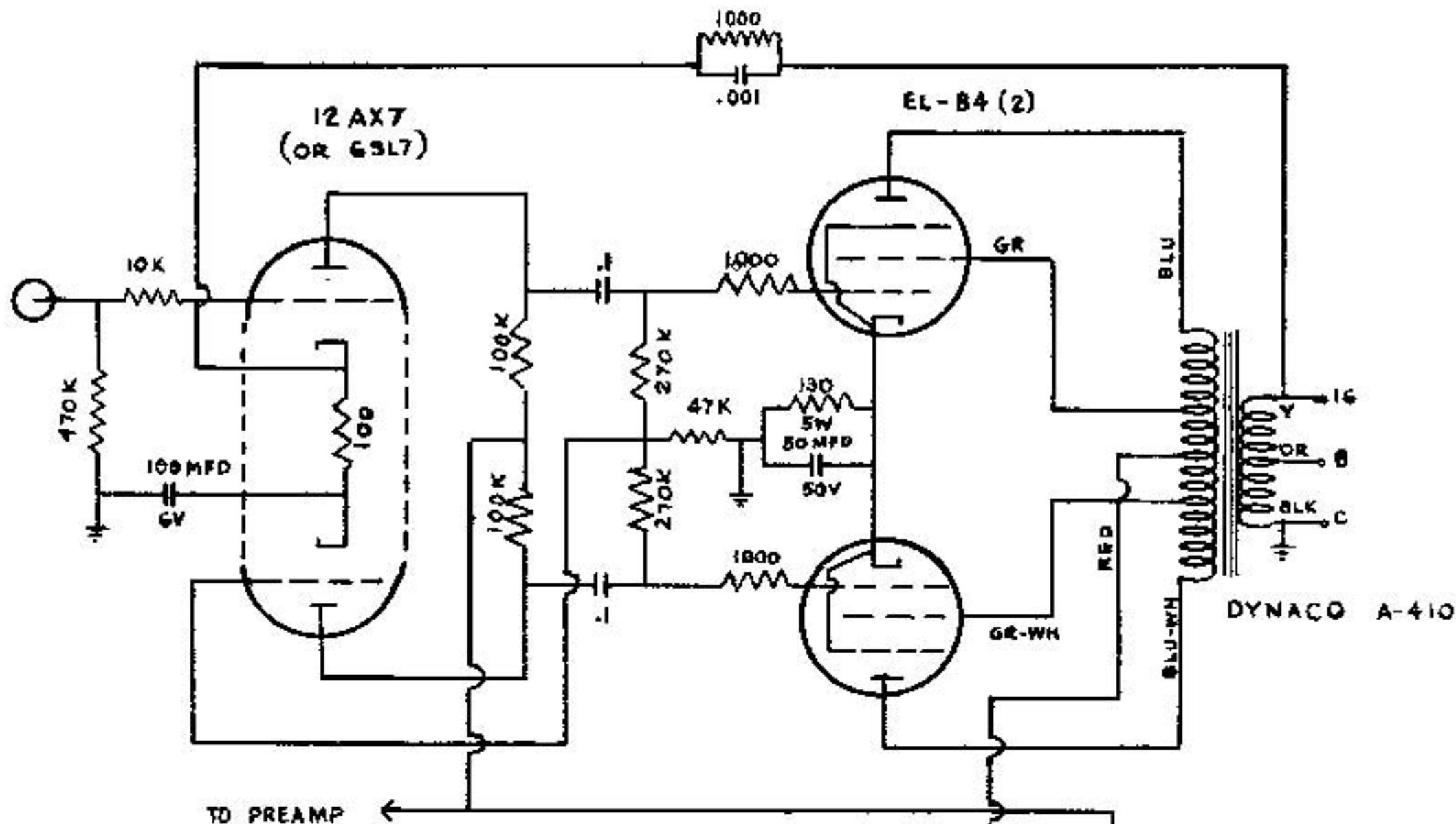
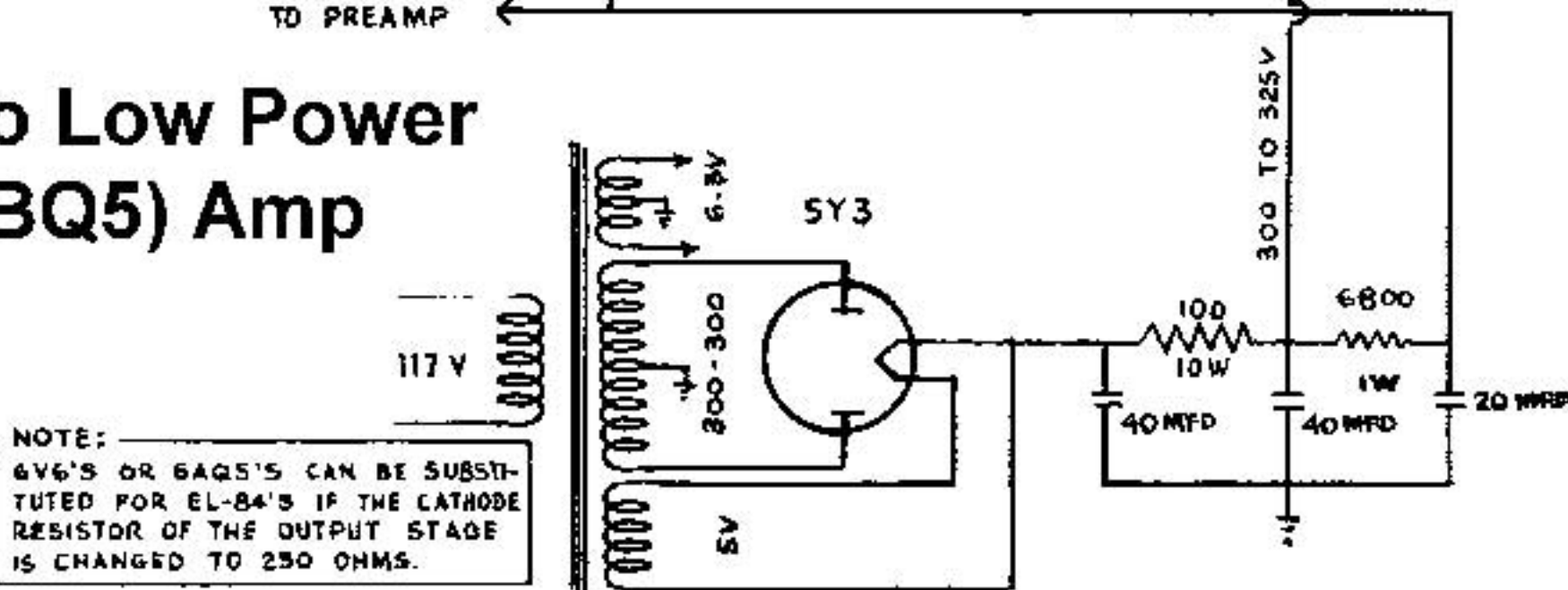


LOW POWER HIGH QUALITY CIRCUIT WHICH CAN BE USED  
TO IMPROVE THE QUALITY OF COMMERCIAL AMPLIFIERS



**Dynaco Low Power  
(6V6/6BQ5) Amp**



NOTE:  
6V6'S OR 6BQ5'S CAN BE SUBSTITUTED FOR EL-84'S IF THE CATHODE RESISTOR OF THE OUTPUT STAGE IS CHANGED TO 250 OHMS.